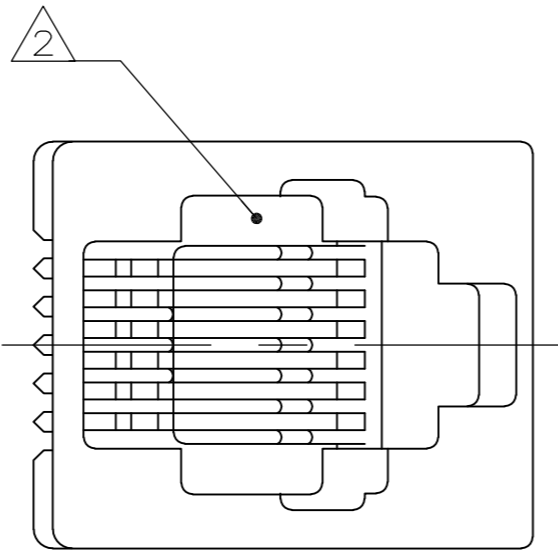


THIS DRAWING IS UNPUBLISHED. RELEASED FOR PUBLICATION
 © COPYRIGHT - By - ALL RIGHTS RESERVED.

LOC		DIST		REVISIONS			
P	LTR	DESCRIPTION		DATE	DWN	APVD	
AA	00	D1	REVISED PER ECO-11-005140		28MAR11	RK	HMR

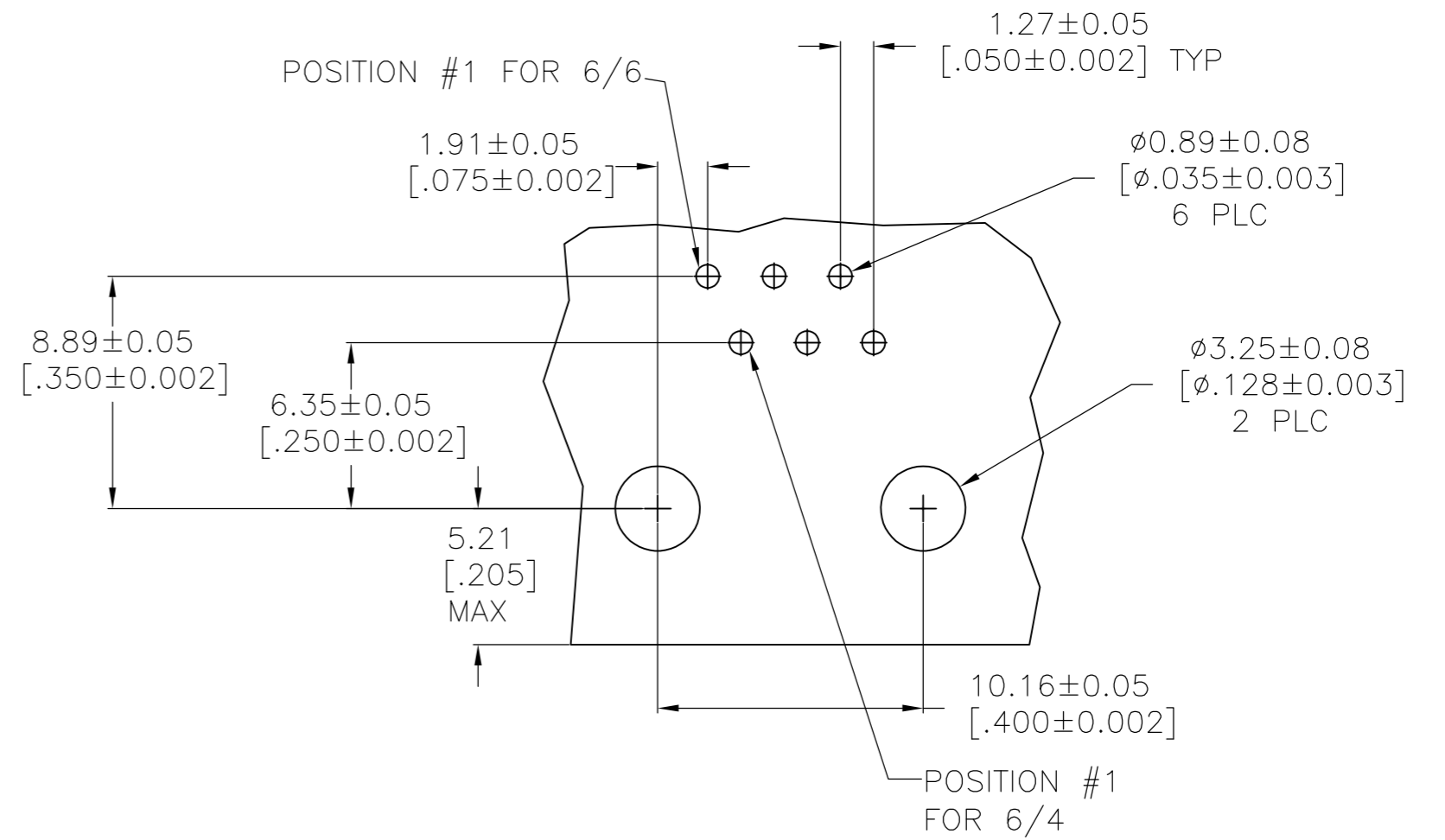
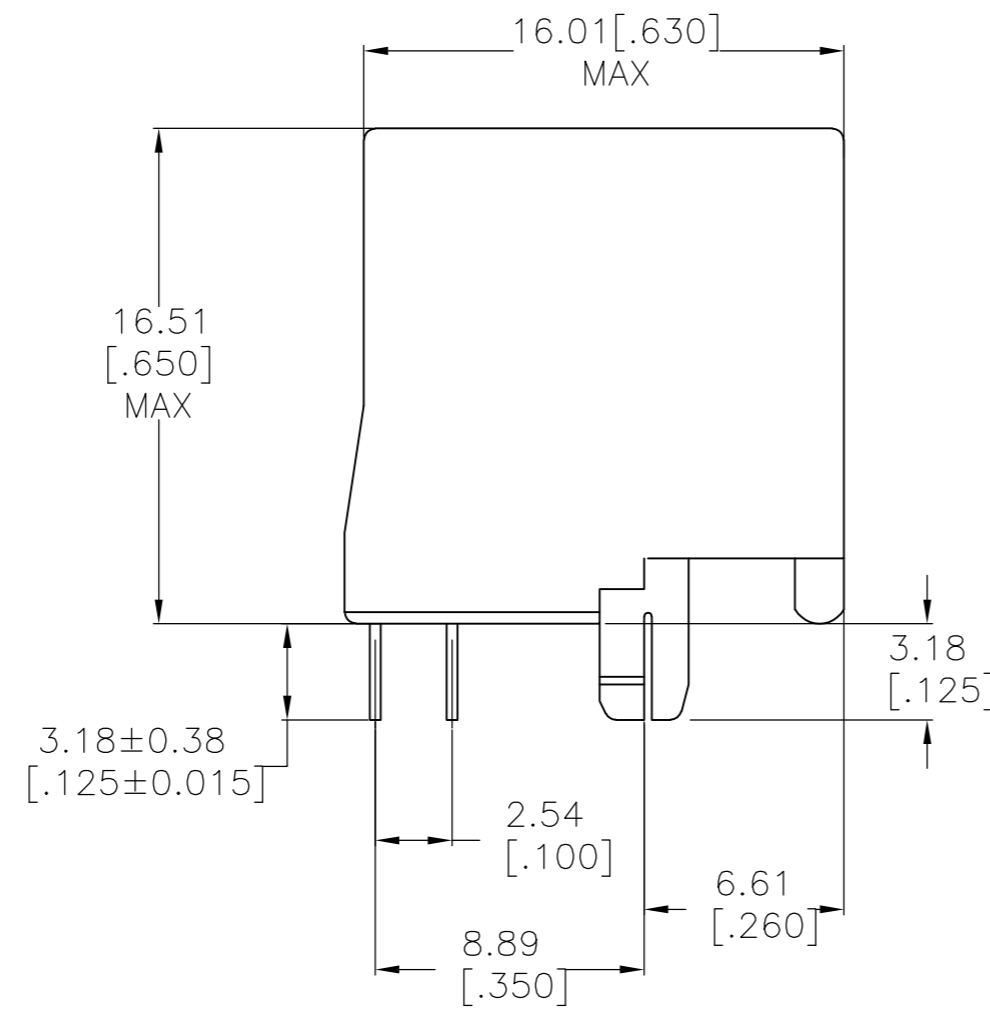
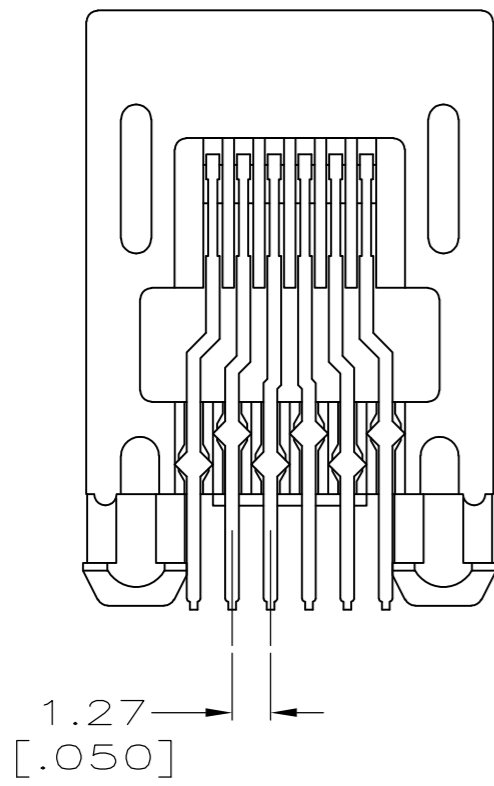


1. MATERIAL:
 HOUSING - PBT POLYESTER, COLOR: BLACK.
 TERMINAL - PHOS BRONZE PLATED WITH 1.27μm [.000050] THICK HARD GOLD IN LOCALIZED GOLD PLATE AREA AND 2.03μm [.000080] THICK MATTE TIN IN SOLDER AREA OVER 1.27μm [.000050] THICK NICKEL UNDERPLATE.

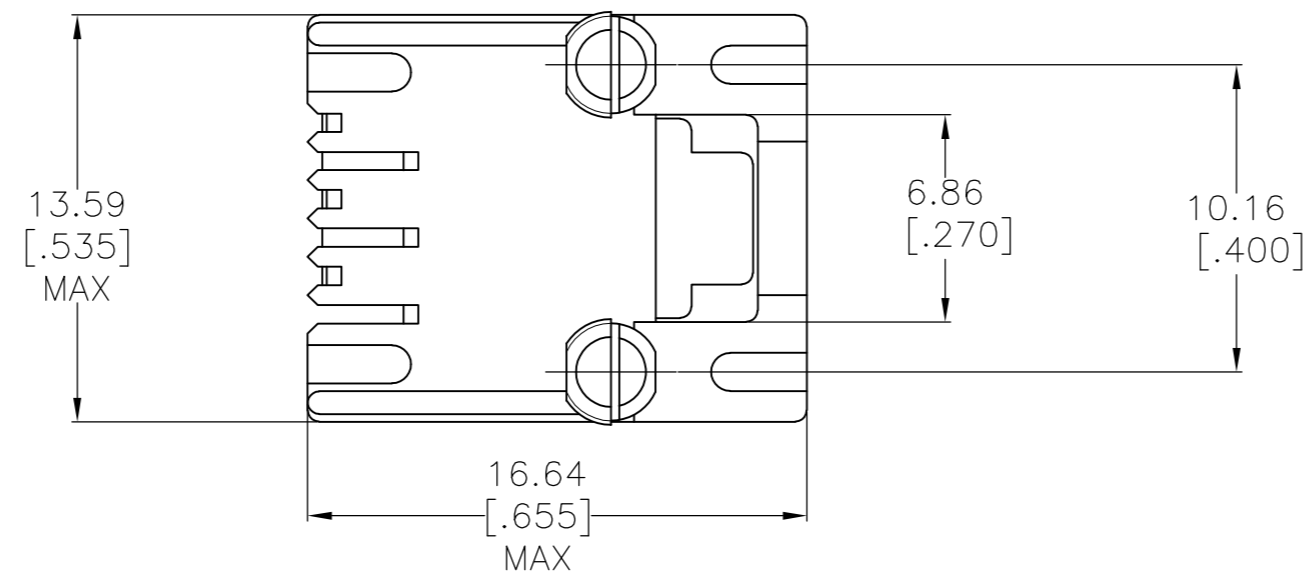
⚠ CAVITY CONFORMS TO FCC RULES AND REGULATIONS PART 68 AND REA BULLETIN 345-.81 PE-76 SPECIFICATION FOR MODULAR TELEPHONE HARDWARE.

⚠ BULK PACKAGED IN A TRAY

⚠ 34 ASSEMBLIES PACKAGED IN A TUBE.



PRINTED CIRCUIT BOARD LAYOUT COMPONENT SIDE



SUPERSEDED BY	REVISION	DESCRIPTION	PART NUMBER
-3	4	6	5520425-4
	3	6	5520425-3
	3	4	5520425-2
		PACKAGED	TERMINALS
			PART NUMBER

THIS DRAWING IS A CONTROLLED DOCUMENT.		DWN	L.A.MAYER	16AUG2007	TE Connectivity MODULAR JACK ASSEMBLY, TOP ENTRY, 6 POSITION, WITHOUT PANEL STOPS				
DIMENSIONS: mm [INCHES]		CHK	P.RECCE	16AUG2007				NAME	
TOLERANCES UNLESS OTHERWISE SPECIFIED:		APVD	S.FLICKINGER	16AUG2007				PRODUCT SPEC	108-1163
0 PLC ± -		APPLICATION SPEC		114-2048				SIZE	A2
1 PLC ± -		MATERIAL		SEE NOTE 1	WEIGHT	-			
2 PLC ± 0.13 [.005]		FINISH		SEE NOTE 1	CAGE CODE	00779			
3 PLC ± -		CUSTOMER DRAWING			DRAWING NO	C=5520425			
4 PLC ± -					SCALE	4:1			
ANGLES ± -					SHEET	1 OF 1			
FINISH					REV	D1			